

**Series BD**  
with microprocessor control unit



**Special features:**

- ✓ ejects smallest amounts of colour concentrates
- ✓ precise dosing of additives in granulated form
- ✓ fast and easy colour change, no material losses

Art. #	Type	Throughput	Volume	Electric supply	Air pressure	Compressed air hose connection	Air consumption	Weight
1799.08	BD1-M	3 kg/h	6 Liter	230 V / 50 Hz	6 bar	6/4 mm Ø	< 10 NI/min	8,5 kg
1803.08	BD1-K-M	1 kg/h	6 Liter	230 V / 50 Hz	6 bar	6/4 mm Ø	< 10 NI/min	9,0 kg
2010.08	BD2-M	3 kg/h	2x 6 Liter	230 V / 50 Hz	6 bar	6/4 mm Ø	< 20 NI/min	16,0 kg
1786.08	BD2-K-M	1 kg/h	2x 6 Liter	230 V / 50 Hz	6 bar	6/4 mm Ø	< 20 NI/min	15,0 kg

## LANCO - batch blenders Series BD

LANCO automatic blenders series BD... the BD carry out small amounts of colour concentrates or additives in granulated form directly into the inlet zone of injection moulding machines.

With dyes such as Microbatch or gritty additives, this precludes the risk of segregation as a result of stirring and vibrations of the processing machines.

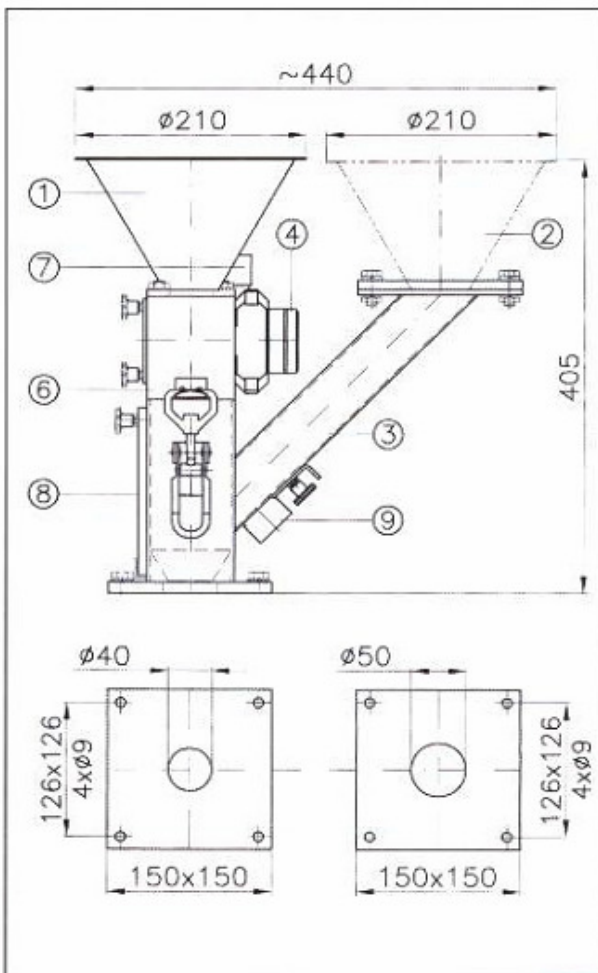
Colour fluctuations in the moulded parts due to changes in the plastifying behaviour of the processing machine are now consigned to the past.

Irrespective of the area in which fluctuations in dosing times occur, whether the hydraulic oil is cold or hot, or regardless of whether or not the non-return valve is leaking, the microprocessor control unit constantly stabilises these variations and recalculates the ideal time for the dye feed for each injection operation.

The device is installed directly onto the inlet aperture of the extruder instead of the machine hopper. The raw material feed (3) can be fitted with an intermediate hopper (2) and a feeder device if necessary. Dye or additive is filled into the acrylic funnel (1) and transferred in small quantities into the inlet of the moulder by the dosing device (6), which is operated by a pneumatic drive (4). The procedure can be watched through the inspection glass (8). The microprocessor control unit receives a floating reference signal from the processing machine. The plastifying time is usually suitable for this. The dosing signals from the control unit are transmitted to the dosing drive by a solenoid valve (7). If a change in product or colour is required, the dosing device including the dye reservoir can be taken off and emptied. The raw material feed can be drained using a slide valve. Only the quantity of raw material currently required is dyed, thus avoiding residual material.

### Microprocessor control unit

The smart control unit of the BD direct dosing systems is easy to use, and there are no complicated calculations. The computer constantly optimises the dye feed at the right moment on the basis of the injection weight, dye chamber weight and desired percentage.



#### Lanco GmbH

Moselstrasse 56-58  
D-63452 Hanau / Germany  
Tel: +49 (0) 6181 91600 - 0  
Fax: +49 (0) 6181 91600 - 40  
[www.lanco.de](http://www.lanco.de)